

SNAP4

ELECTROMECHANICAL BARRIER



Electromechanical barrier 24 Vdc, designed for fast and fluid movements with booms up to 4 m. Latest generation control unit and complete range of accessories.

Safe and Precise thanks to the encoder and the slowing down in opening and closing.

Practical with the in-built control unit housed on top, the LED lights and various connections available for safety devices and battery back-up.

Designed to blend into modern architectures, Snap is made of a sturdy steel structure and stainless steel panels for **reliable** operations and **long lasting appearance**.

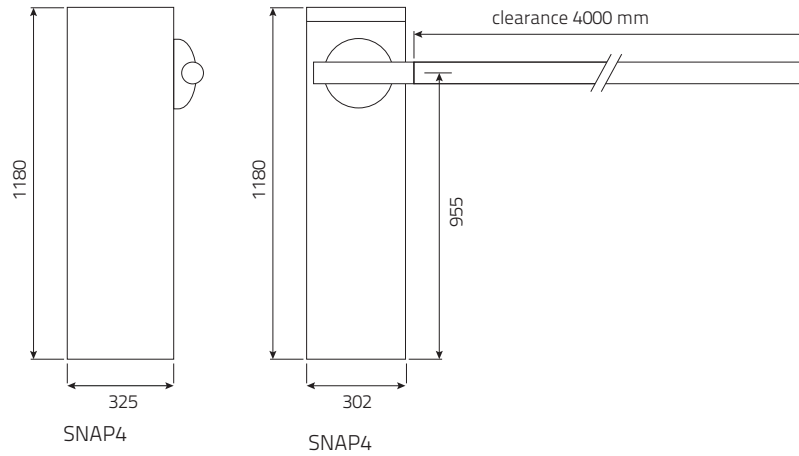
SNAP is compatible with SUN POWER Telcoma.



TECHNICAL SPECIFICATIONS	SNAP4
Motor power supply	24 V
Max. motor current	12 A
Motor power	300 W
Max. torque	600 Nm
Max. boom length	4250 mm
Max opening	100°
Opening time	3-6 sec
Work cycles	intensive
Encoder	YES
Limit switches	YES
Grease lubricant	TS10
TECHNICAL SPECIFICATIONS BUILT IN CONTROL UNIT	
Model	SN24
Power supply	230 V
Max. current	1,5 A
Electronic slow down	YES
Compatible with Sun Power	YES
GENERAL DATA	
Working temperature	-20 +55 °C
Protection level	IP 54
Weight	50 Kg
Pallet	9 pcs

SNAP4

DIMENSIONS



Dimensions in mm

ACCESSORIES

SNAPPER4

Tubular aluminum boom painted white, Ø 7 cm, L 4,25. complete with rubber profiles and end caps.



ADEK

Reflector sticker for SNAPPER4. L 4 m



PAF

Fixed stand for bars.



STICKERS

12 reflector stickers.



PSR

Mobile stand for bars.



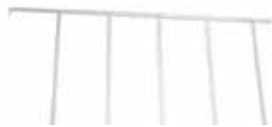
LED SNAPPER4

Led lights for SNAPPER4.



SRS

Plastic rack L 200 cm.



CB24

24 V battery charger. Suitable for 24 V control units.



SPB24

External box with 2 batteries 12V 7Ah.



SNR SNAP

Joint for SNAP4.



SUN POWER

Solar power kit with solar panel and battery. Suitable for all 24 V control units.



FIX SNAP4

Base plate with clamps.



H230T

Heating system for installation in low temperature climates 230 V power supply, 10 W power consumption. Complete with thermostat.

